

DESCRIPTION

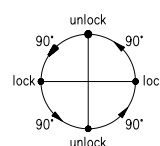
A solenoid-operated, 2-way, direct-acting, spool-type, normally closed, screw-in, hydraulic cartridge valve designed to function as bidirectional blocking valve in high flow circuits.

OPERATION

When de-energized, the EV10-2LH stops flow in both directions. When energized, the valve's spool shifts to open the bidirectional flow path.

OPTION

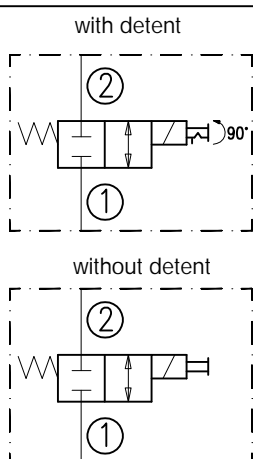
Manual over-ride push & twist type. Push the button and twist it for 90° anticlockwise to fix the working position. To unlock - push and twist for another 90° anticlockwise.



RATINGS

- Operating Pressure: 210bar
- Flow: See Performance Chart.
- Internal Leakage: 82 cc/minute max. at 210bar
- Temperature: -20°C to 90°C with standard Buna N seals
- Coil Duty Rating: Continuous from 90% to 110% of nominal voltage
- Filtration: Recommended 25mm nominal or better
- Fluids: Mineral-based or synthetics with lubricating properties at viscosities of 7,4 to 420 cSt
- Installation: No restrictions
- Cavity: CC10-2 ; See "CAVITIES AND BODIES" brochure

SYMBOL

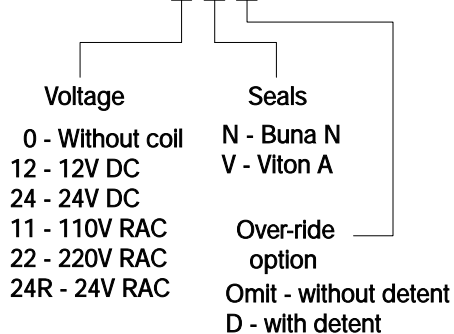


CAVITY

See "CAVITIES AND BODIES" brochure

TO ORDER

EV10-2LH



Terminations DIN 43650.
See "Accessories" brochure

PERFORMANCE (Cartridge Only)

